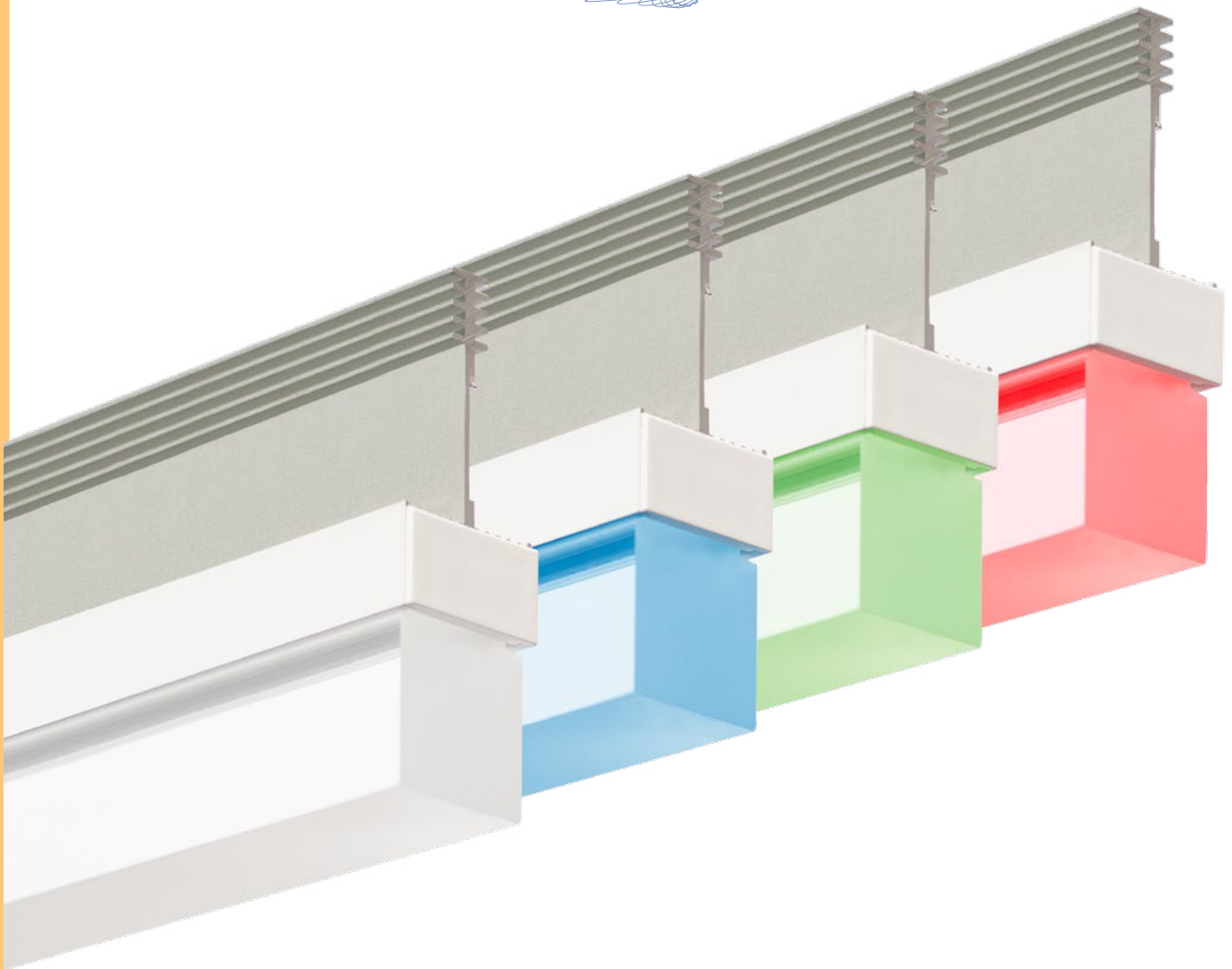


TBAR RGBW™

by JLC • tech



The only lighting product that is designed, approved, and patented to replace the cross members in a suspended grid ceiling system.



T-BAR RGBW™ by JLC • tech

JLC-Tech, a pioneer for architecturally integrated LED lighting solutions, strives to offer the most technologically advanced options when it comes to lighting your next project.

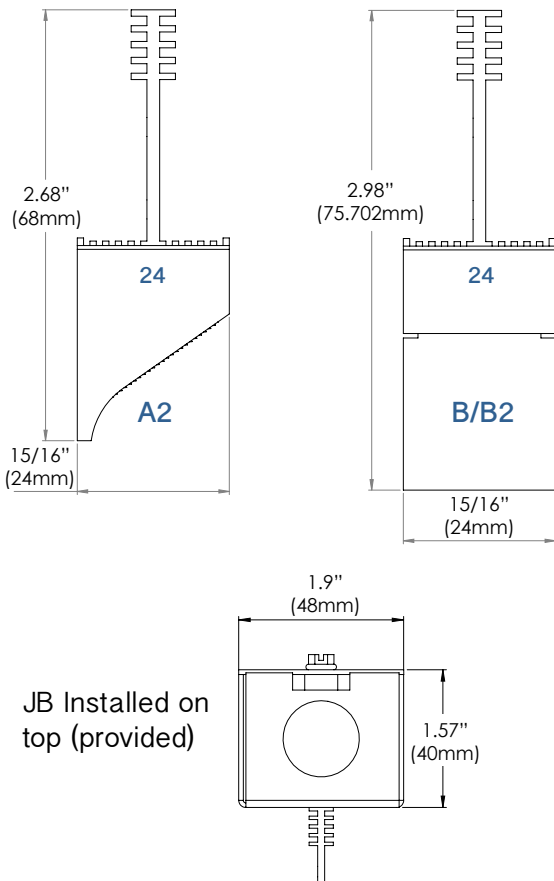
T-BAR RGBW brings the added benefit of full color tuning to the T-BAR LED family. The combination of separate RGB and white emitters allow for precise control across the color spectrum providing tunable white light, or bold splashes of color. Ideal for wall washing or ambient lighting, T-BAR RGBW is the perfect solution to transform a space into a dynamic environment.

JLC-Tech...It takes a genius to make it simple.

Product Name	Type of LED/K Color	Size	Grid Type	Optic	Mounting Clips	Color
TBRGB = T-BAR RGBW	MW = Medium Warm 3500K + RGB	2 = 2 ft 4 = 4 ft 4L = 4 ft L 6 = 60 cm 12 = 120 cm 12L = 120 cm L	24 = 15/16"	A2 = Asymmetric B = Block Clear Diffusing Lens B2 = Block Frosted Diffusing Lens S = Acrylic Signage	U = Universal A = Armstrong C = Custom	W = White C = Custom

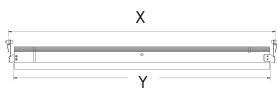
Patent No. 8,177,385. Additional patents are pending.

Profile Dimensions



JB Installed on top (provided)

Length Dimensions



Size	Grid Type	X	Y
2 = 2ft	24 = 15/16"	24"	23"
4 = 4ft	24 = 15/16"	48"	47"
4L = 4ft L	24 = 15/16"	48"	24"

CRI = >82

LIGHT OUTPUT:

- Asymmetric = 559lm per foot (white only)
- Block Clear Diffusing = 513lm per foot (white only)
- Block Frosted Diffusing = 552.5lm per foot (white only)

NOTES:

T-BAR RGBW modules can be parallel connected up to 6 linear feet max per power supply. Remote power supply includes JB compartment for AC input direct wiring with metal conduit. Max distance from power supply to controller is 30 feet with 18 AWG wire. Longer distance achievable if using higher gauge wire. Remote color controller must be installed in accordance with local electrical codes.

APPLICATIONS:

Executive, Medical, Health, Educational, Retail, Hotels, Airport, Hospitality and any open space areas that require a unique and decorative architectural lighting design effect.

MOUNTING:

Universal mounting brackets are for easy installation to standard 15/16" T-Bars of most manufacturers' ceiling suspension systems. Armstrong compatible mounting clips for installation with Armstrong Ceiling 15/16" Prelude® and Clean Room™ suspension systems.

MATERIALS:

Anodized and painted aluminum extruded body, steel mounting clips, white PC end caps, high transmitting acrylic PMMA lens (asymmetric, block diffusing lens).

ELECTRIC:

High output LEDs consume 8W/ft white channel and 8W/ft RGB channel. Power supply consumption not included. Input voltage 24VDC. Junction box installed on fixture with 5 wires inside for connection to control system or another fixture, (max 6 linear feet of product). Use solid copper wire or wire ferrules to fit into quick connectors.

CONTROLS:

Fixture is compatible with most 24VDC PWM control systems using 5-wire (common ANODE) configuration. Standard control options include EldoLED LINEAR drive 100D (DMX compatible), Casambi CBU-PWM4 (Bluetooth Mesh), or similar.

WARRANTY:

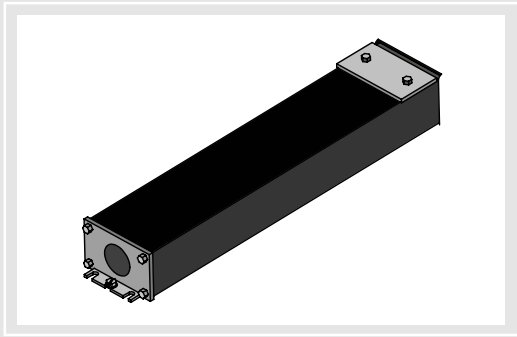
5 years

LISTINGS:

ETL/cETLus CE RoHS Indoor use only.

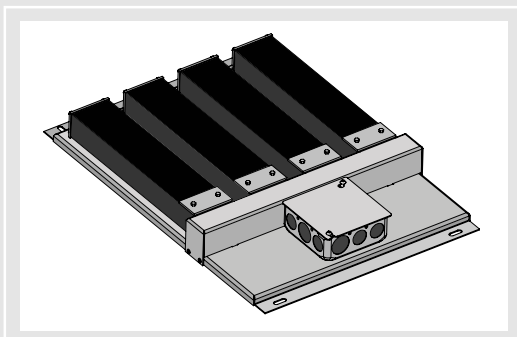


T-BAR LED™ Power Supply Options



24VDC LED Driver 96W Power Supply 0-10 VDC dimmable and non dimmable

T-BAR LED modules can be parallel connected up to 6 linear feet max per power supply. Power supply includes JB compartment for AC input direct wiring with metal conduit. Available with 0–10Vdc nominal 1% dimming option.



24VDC LED Driver 384W Power Supply 0-10 VDC dimmable and non dimmable

T-BAR LED modules can be parallel connected up to 6 linear feet max per channel totaling 24 linear feet of illuminated product. Power kit includes JB for AC input direct wiring with metal conduit. Available with 0–10Vdc nominal 1% dimming option.

T-BAR RGBW™ Controller Options



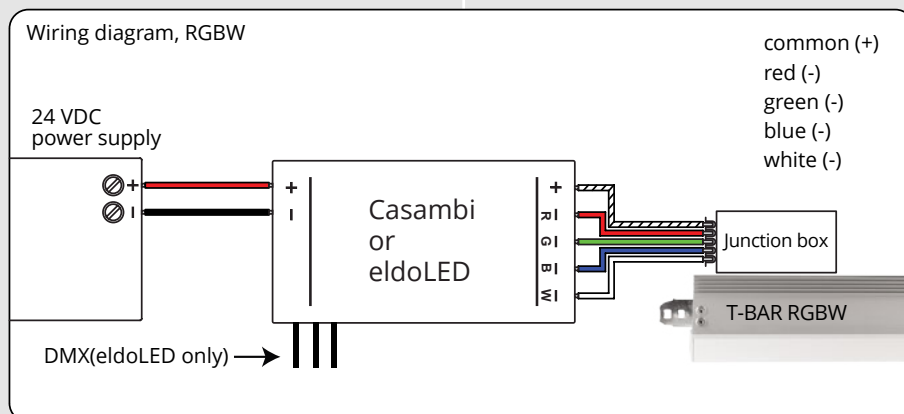
eldoLED Lineardrive 100W DMX control

A low voltage DMX controller that features four LED outputs that can be controlled individually via DMX. When paired with a T-BAR RGBW power supply, it can control up to 6ft of TBAR RGBW fixtures.



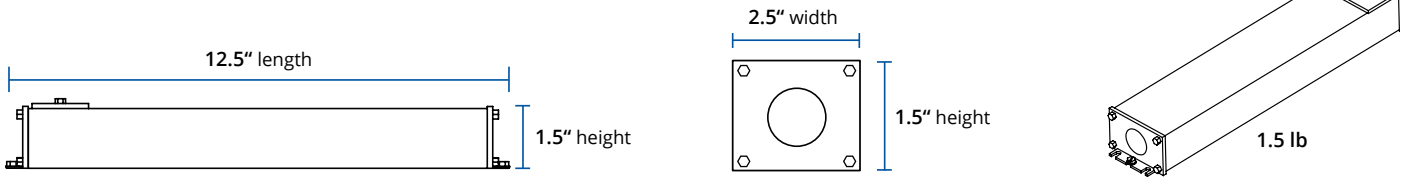
Casambi 4ch PWM dimmer Bluetooth control

A low voltage Bluetooth controller with four LED outputs, controlled with the free Casambi app. When paired with a T-BAR RGBW power supply, it can control up to 6ft of TBAR RGBW fixtures, and up to 127 Casambi units can form an intelligent mesh network.

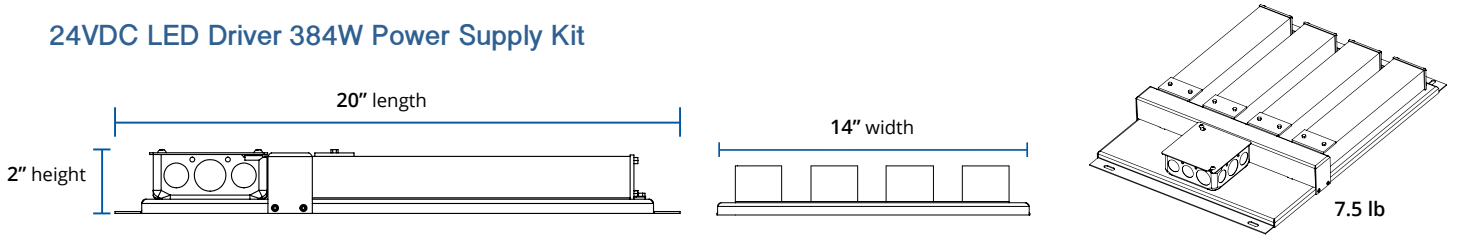


Product Name	Driver Type	Power	Wattage	Voltage
TBSL = T-BAR LED Power Supply	PS = Non Dimmable	HP = High Power	100W = 96W 400W = 384W	UNV = Universal 100-277V
Controller Item Number	Description			
TBRGBW-LIN100D2	eldoLED LINEARdrive DC, 100W, DMX/RDM controllable, 4 control channels, constant voltage, 4x LED outputs			
TBRGBW-CBU-PWM4	Casambi CBU-PWM4, Bluetooth controllable 4ch PWM dimmer			

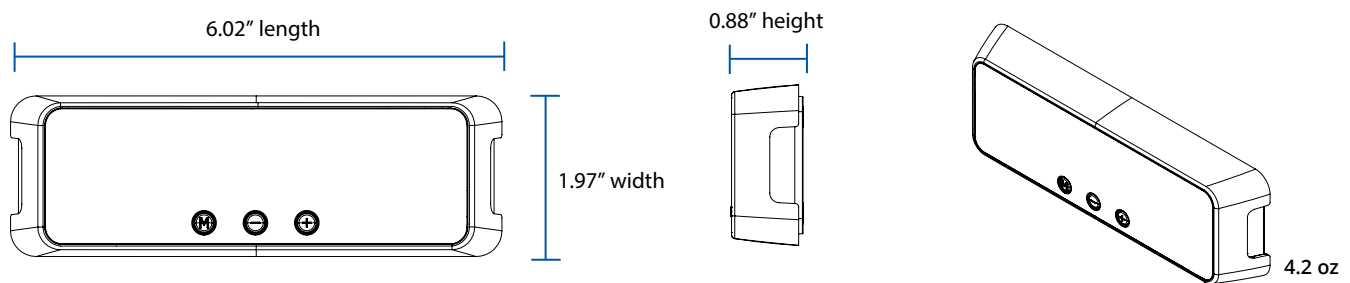
24VDC LED Driver 96W Power Supply



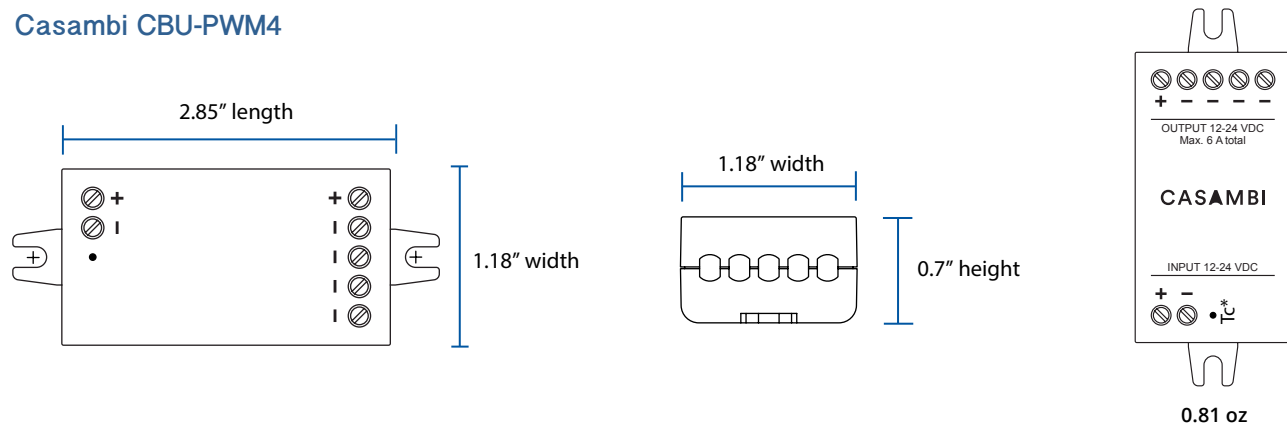
24VDC LED Driver 384W Power Supply Kit

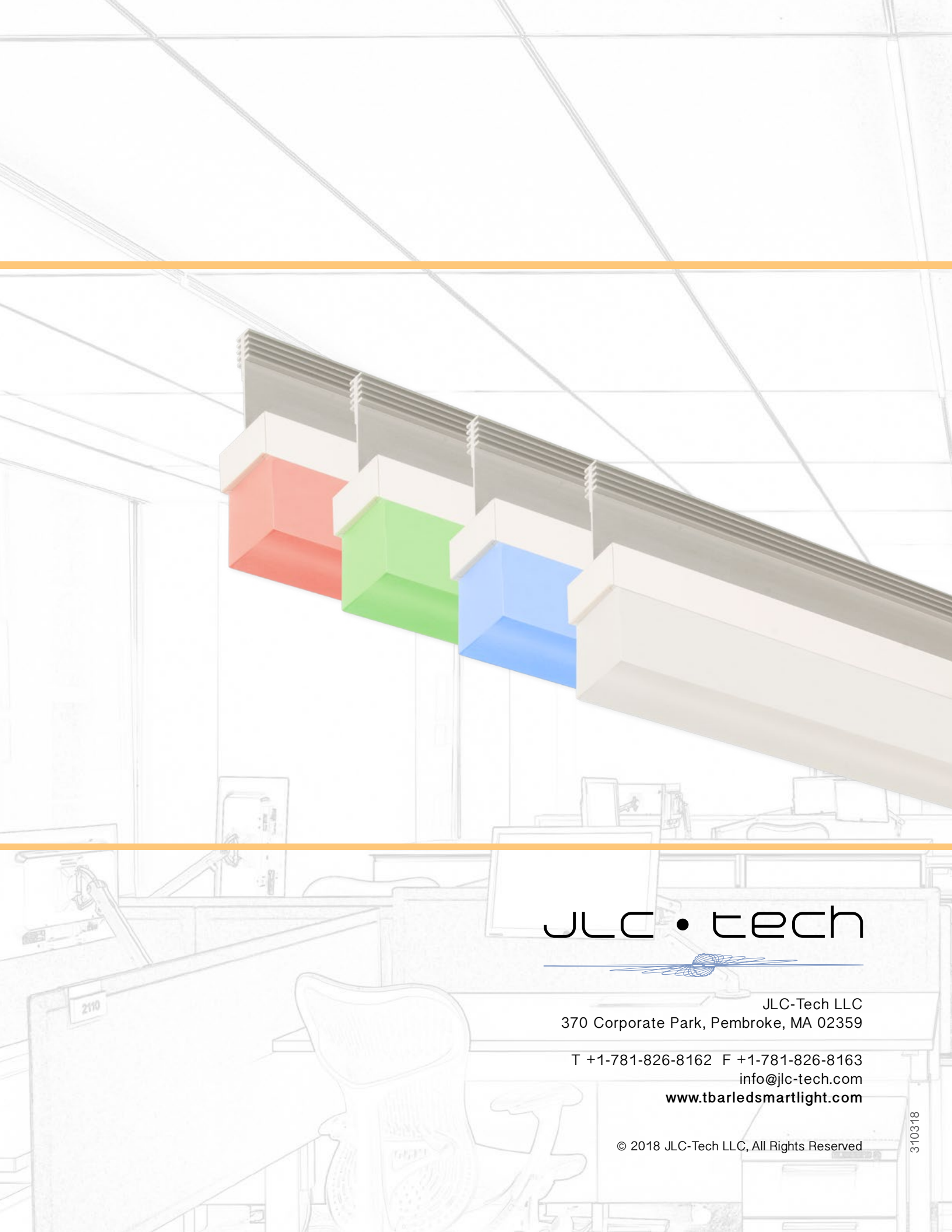


eldoLED LINEARdrive 100D



Casambi CBU-PWM4





JLC • tech

JLC-Tech LLC
370 Corporate Park, Pembroke, MA 02359

T +1-781-826-8162 F +1-781-826-8163
info@jlc-tech.com
www.tbardedsmartlight.com

© 2018 JLC-Tech LLC, All Rights Reserved